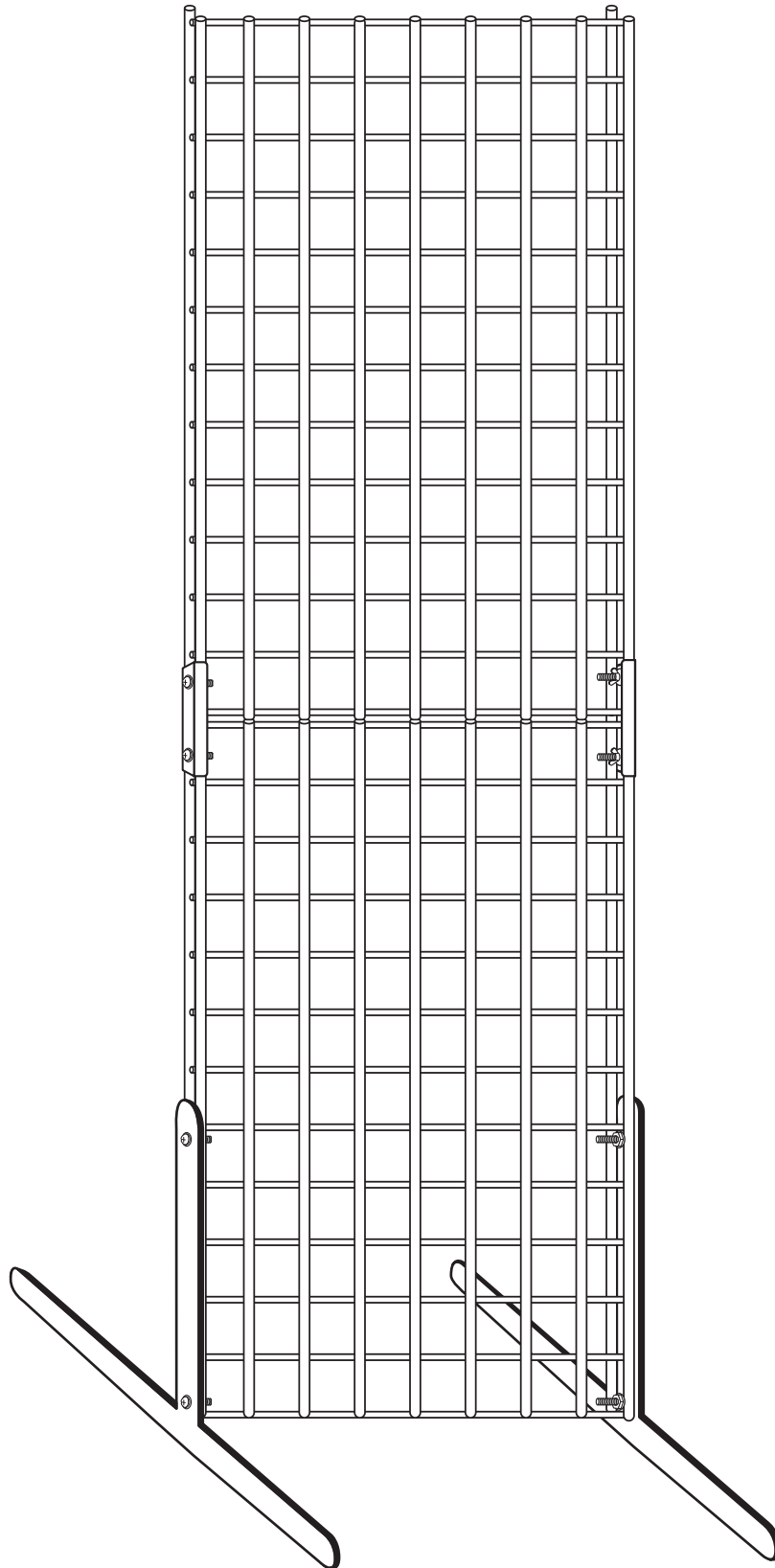


ASSEMBLY INSTRUCTIONS MANUAL

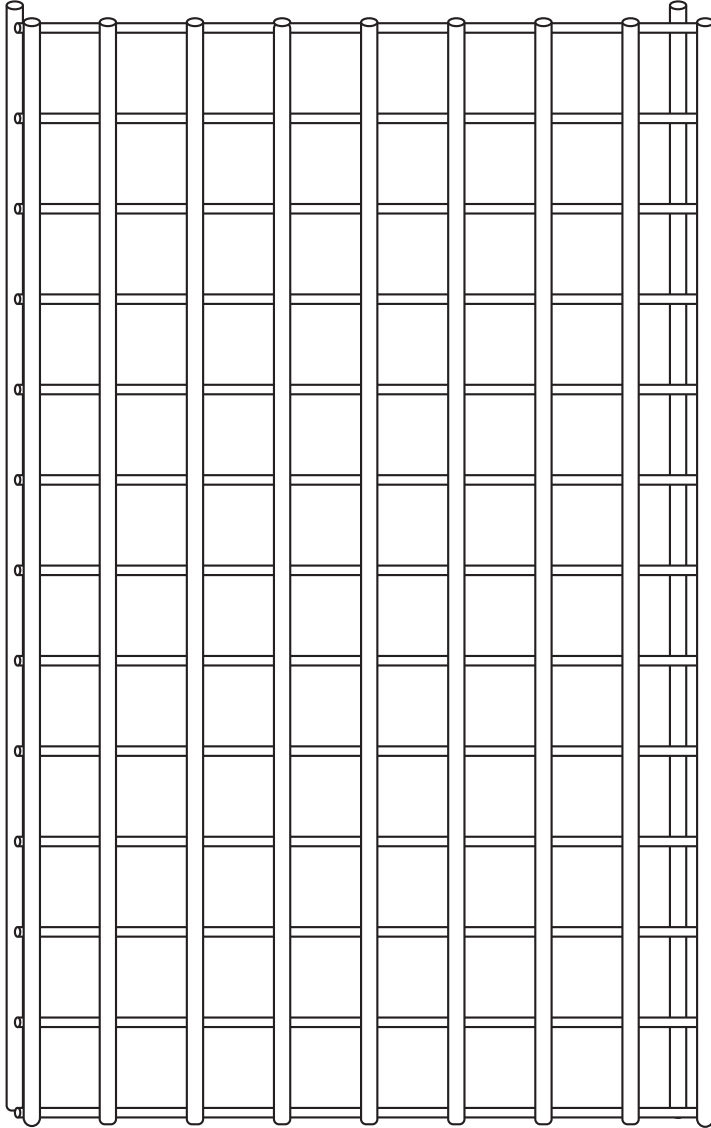
COLLAPSIBLE GRID PANELS / COLLAPSIBLE GRID STAND



ASSEMBLY INSTRUCTIONS MANUAL

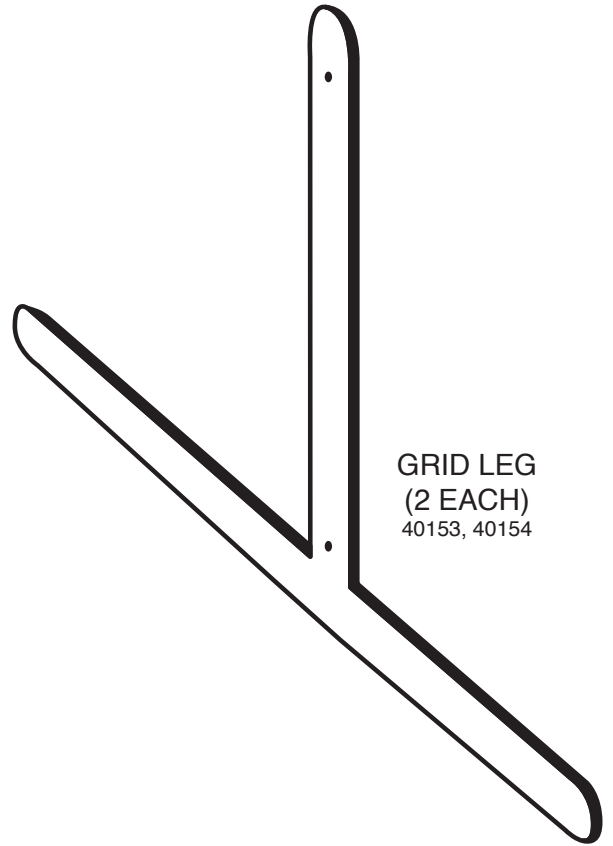
COLLAPSIBLE GRID PANELS / COLLAPSIBLE GRID STAND

PARTS IN CARTON:

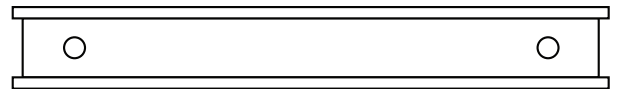


GRID SCREEN
(2 EACH)

40148, 40149, 40153, 40154



GRID LEG
(2 EACH)
40153, 40154



BRACKET
(2 EACH)

40148, 40149,
40153, 40154



BOLT #1
(4 EACH)
40148, 40149,
40153, 40154



WASHER #1
(8 EACH)
40148, 40149,
40153, 40154



BOLT #2
(4 EACH)
40153, 40154



WASHER #2
(4 EACH)
40153, 40154



WING NUT
(4 EACH)
40148, 40149,
40153, 40154



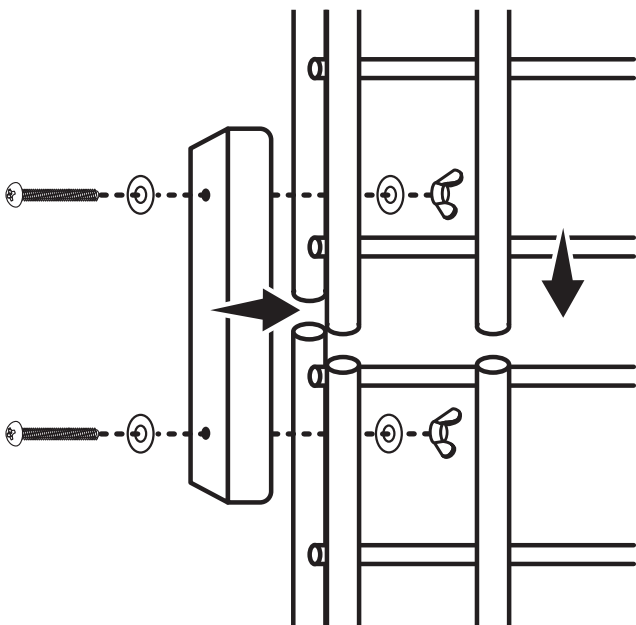
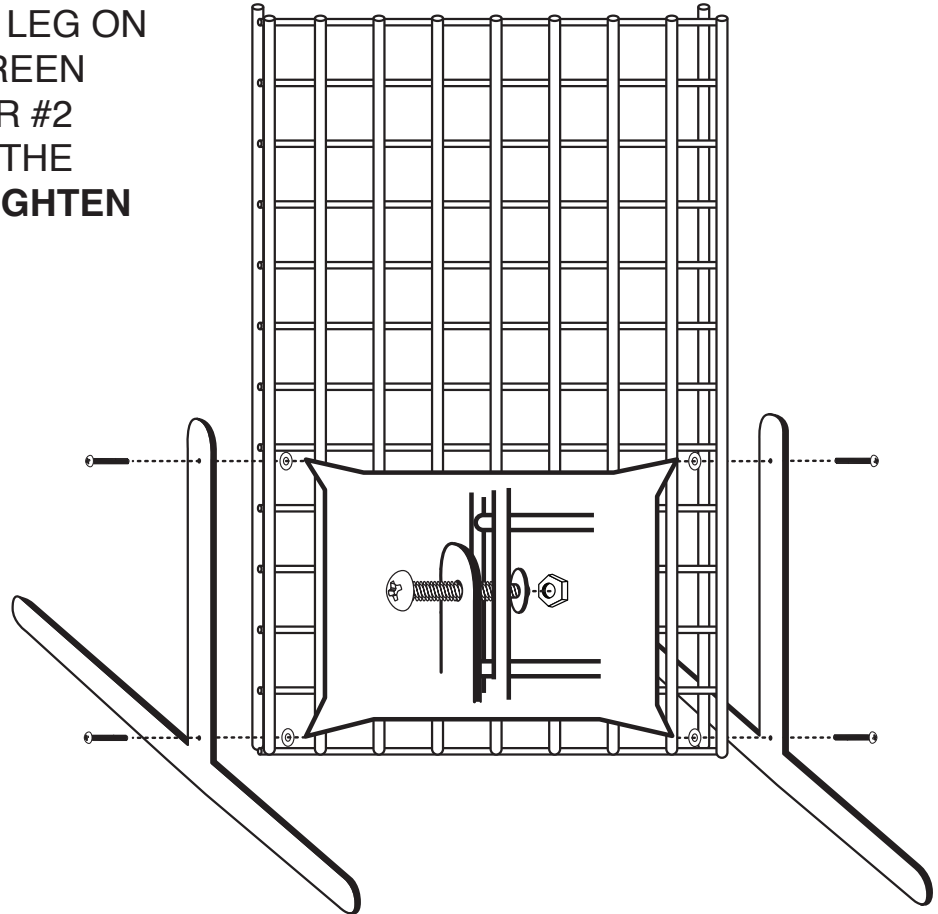
NUT
(4 EACH)
40153, 40154

ASSEMBLY INSTRUCTIONS MANUAL

COLLAPSIBLE GRID PANELS / COLLAPSIBLE GRID STAND

LEG ATTACHEMENT

ATTACH THE LEFT GRID LEG ON TO THE FIRST GRID SCREEN USING BOLT #2, WASHER #2 AND A NUT. REPEAT ON THE RIGHT. **DO NOT OVER TIGHTEN HARDWARE.**



GRID PANEL CONNECTION

ATTACH THE SUPPLIED BRACKET TO THE GRID SCREEN ON THE LEFT USING BOLT #1, WASHER #1 AND A WINGNUT. REPEAT ON THE RIGHT. **DO NOT OVER TIGHTEN HARDWARE. ONCE ASSEMBLED THE UNIT CANNOT BE COLLAPSED.**